

# SCONA

- harmonious design with centrally-placed waste
- can be installed absolutely flush to floor
- also available in the shades of the Coordinated Colours Collection
- made of KALDEWEI steel enamel
- flush-fitting recessed waste cover (only in combination with the KA 90 waste fittings)

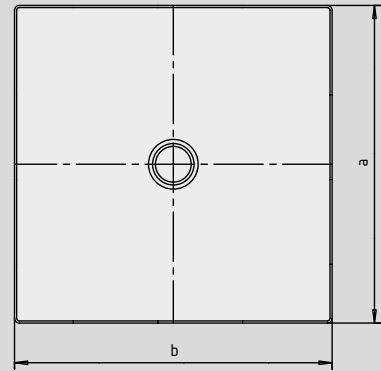
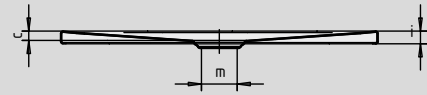


Similar illustration

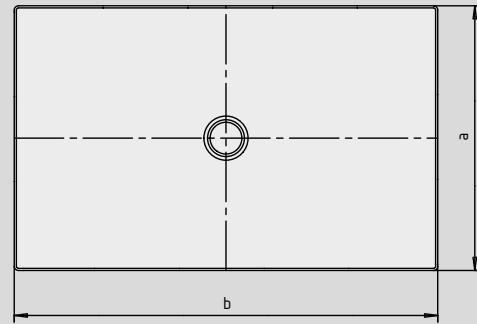
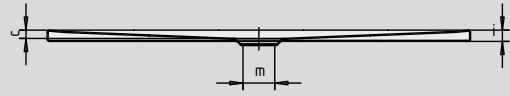
	Combined Tray & Waste depth	Waste fitting depth
KA 90	103	81
KA 90 extra flat	92	70
KA 90 ultra flat	83	61
KA 90 vertical	49	81

See page 275.

Model 966

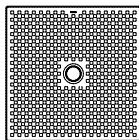


Model 916



SECURE<sup>+</sup>

Model No.	916	943	963	964	965	966	917	918	967
External length	a	1000	800	900	1000	700	750	800	1000 mm
External width	b	1000	1100	1100	1100	1200	1200	1200	1200 mm
Depth	c	23	23	23	23	23	23	23	23 mm
Height of rim	i	32	32	32	32	32	32	32	32 mm
Diameter of drain hole	m	90	90	90	90	90	90	90	90 mm
Weight of the enamelled shower tray in kg		26	23	25	27	21	23	25	30
Anti-slip		492 x 492	492 x 492	492 x 492	492 x 492	492 x 492	492 x 492	492 x 492	492 x 492 mm
Full anti-slip		932 x 932	740 x 1028	836 x 1028	932 x 1028	644 x 1124	692 x 1124	740 x 1124	836 x 1124
SECURE PLUS		all-over	all-over	all-over	all-over	all-over	all-over	all-over	all-over



The TÜV Rheinland confirms the following properties of KALDEWEI's anti-slip, full anti-slip and SECURE PLUS finish:

- Assessment group **B** for wet barefoot areas (**DIN 51097**)
- Assessment group **R 10** for slip-resistant properties in work rooms and areas with an increased risk of slipping (**DIN 51130**)

All SCONA models are available either with anti-slip, full anti-slip or SECURE PLUS.

Model 968 with full anti-slip or SECURE PLUS fits DIN barrier-free 18040-2.