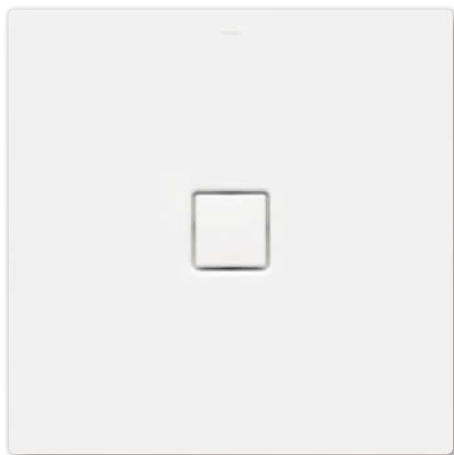


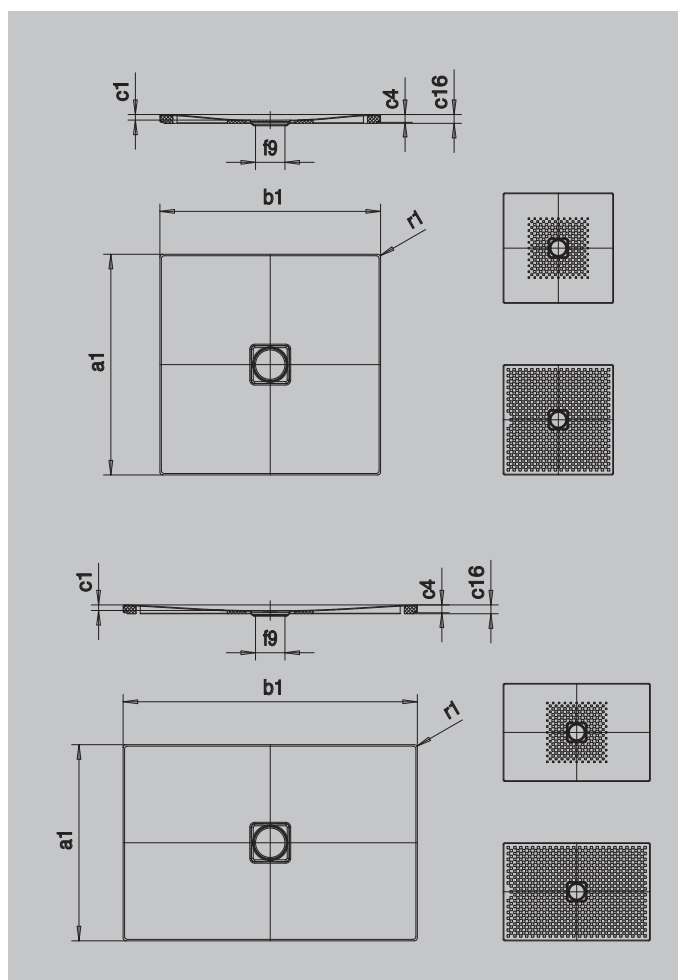
# CONOFLAT WITH LOW PROFILE SUPPORT

- straightlined, purist design
- high level of comfort thanks to the flat enamelled waste cover that is flush with the shower area
- Total height (g) with horizontal waste fitting: 107 mm; fitting height incl. cover 83 mm (compared to tiled shower areas)
- made of KALDEWEI steel enamel
- ideally complements the CONODUO bath
- designed by Sottsass Associati
- drainage capacity KA 120: 0,85 l/s
- drainage capacity KA 120 vertical: 1,4 l/s



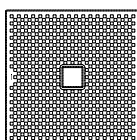
Similar illustration

	Combined Tray & Waste depth	Waste fitting depth
KA 120	107	83
KA 120 vertical	49	83
KA 120 flat	87	63



SECURE<sup>[+]</sup>

Model		784	786	787	788	854
External length	a <sub>1</sub>	900	1000	800	900	1000 mm
External width	b <sub>1</sub>	1000	1000	1100	1100	1100 mm
Internal depth	c <sub>1</sub>	23	23	23	23	23 mm
Height of rim	c <sub>4</sub>	32	32	32	32	32 mm
Height with low profile support	c <sub>16</sub>	37	37	37	37	110 mm
Diameter of drain hole	f <sub>9</sub>	Ø 120	Ø 120	Ø 120	Ø 120	Ø 120 mm
External radius	r <sub>1</sub>	12	12	12	12	12 mm
Weight of the enamelled shower tray		23	26	23	25	28 kg
Anti-slip		492 x 492	492 x 492	492 x 492	492 x 492	588 x 588 mm
Full anti-slip		836 x 932	932 x 932	740 x 1028	836 x 1028	932 x 1028 mm
SECURE PLUS		all-over	all-over	all-over	all-over	all-over



The TÜV Rheinland confirms the following properties of KALDEWEI's anti-slip, full anti-slip and SECURE PLUS finish:

- Assessment group **B** for wet barefoot areas (**DIN 51097**)
- Assessment group **R 10** for slip-resistant properties in work rooms and areas with an increased risk of slipping (**DIN 51130**)

All CONOFLAT models are available either with anti-slip, full anti-slip or SECURE PLUS.

Model 790 with Full anti-slip or SECURE PLUS fits DIN barrier-free 18040-2.