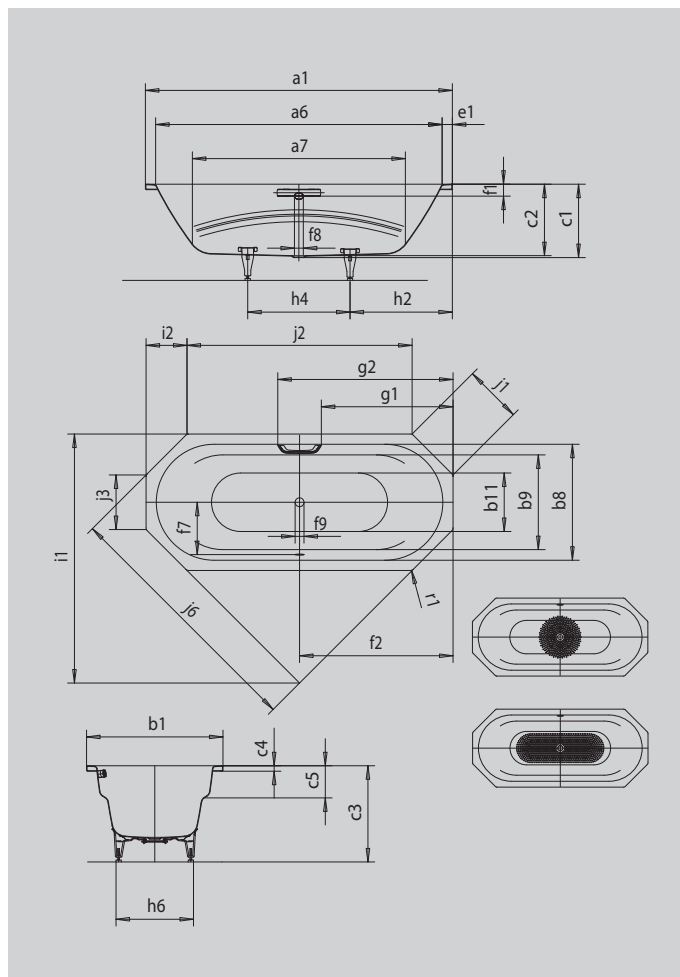


VAIO DUO 8

- diverse installation possibilities, also corner installation
- with integrated arm rests
- bathing with a friend: two identical back rests and centrally positioned waste
- made of KALDEWEI steel enamel



Similar illustration



GRIP DISCREET OPULENCE



Model		953
External length	a ₁	1800 mm
Internal length (top)	a ₆	1680 mm
Internal length (bottom)	a ₇	1248 mm
External width	b ₁	800 mm
Internal width (bottom)	b ₁₁	496 mm
Internal width bathing area (with; without armrest)	b ₈ ; b ₉	680; 555 mm
Depth inside	c ₁	420 mm
Depth incl. waste hole	c ₂	430 mm
Height with feet	c ₃	550 - 590 mm
Height of rim	c ₄	32 mm
Armrest depth	c ₅	180 mm
Width of rim (foot end)	e ₁	60 mm
Distance top edge to centre of overflow hole	f ₁	70 mm
Distance bath edge to centre of waste hole	f ₂	900 mm
Distance centre of waste hole to centre of overflow hole	f ₇	332 mm
Diameter of overflow hole	f ₈	Ø 52 mm
Diameter of waste hole	f ₉	Ø 52 mm
Distance bath edge (foot end) to start of grip	g ₁	772 mm
Distance bath edge (foot end) to end of grip	g ₂	1028 mm
Distance foot end of bath edge to centre of foot	h ₂	600 mm
Distance between the feet	h ₄	600 mm
Width of feet max.	h ₆	455 mm
Installation dimension	i ₁	1460 mm
Angled edge	i ₂	240 mm
Side length	j ₆	1499 mm
Length of sides	j ₁ ; j ₂ ; j ₃	340; 1320; 320 mm
External radius	r ₁	23 mm
Water volume		155 l
Net weight		49 kg
Diameter of anti-slip		Ø 435 mm
Full anti-slip		900 x 300 mm