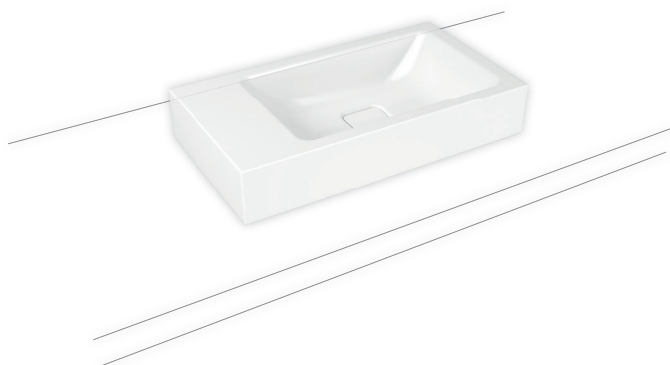
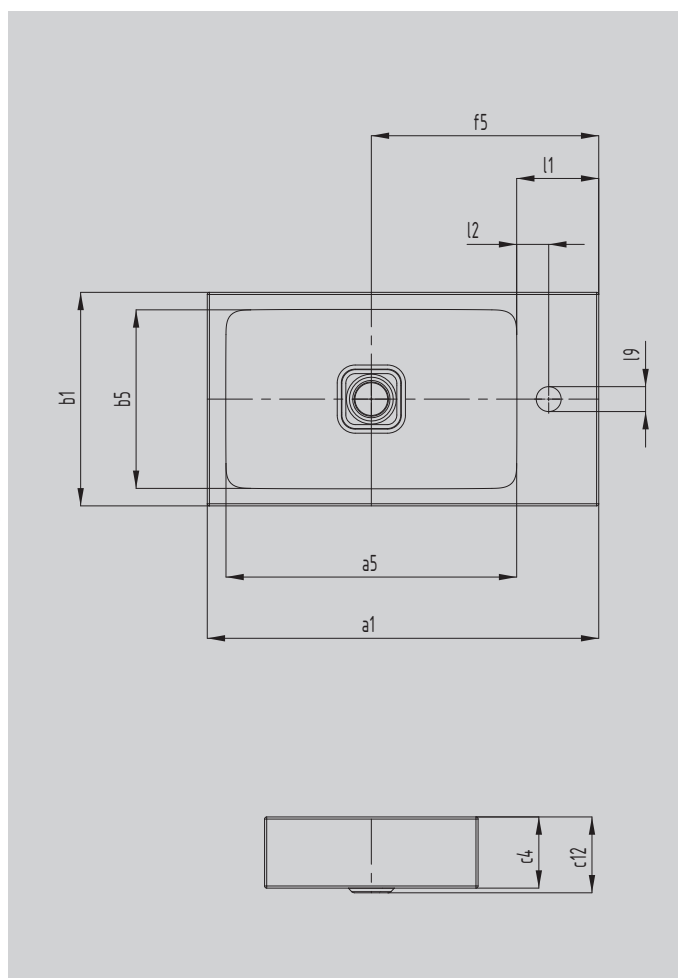


CONO COUNTERTOP HANDBASIN

- washbasin with premium character exudes elegance and harmony
- optimally integrated enamelled waste accentuates the underlying geometry of the washbasin
- perfectly complements the CONO range
- unusually generous rim provides space for fittings or individual accessories



Similar illustration



Model		3074
External length	a_1	550 mm
Internal length	a_5	409 mm
External width	b_1	300 mm
Internal width	b_5	251 mm
Height of rim	c_4	100 mm
Distance basin surface to bottom edge of waste hole	c_{12}	102 mm
Distance rear edge to centre of waste hole	f_5	320 mm
Depth of tap deck	l_1	116 mm
Distance tap holes to edge	l_2	45 mm
Diameter of centre tap hole	l_9	Ø 35 mm
Net weight		8 kg