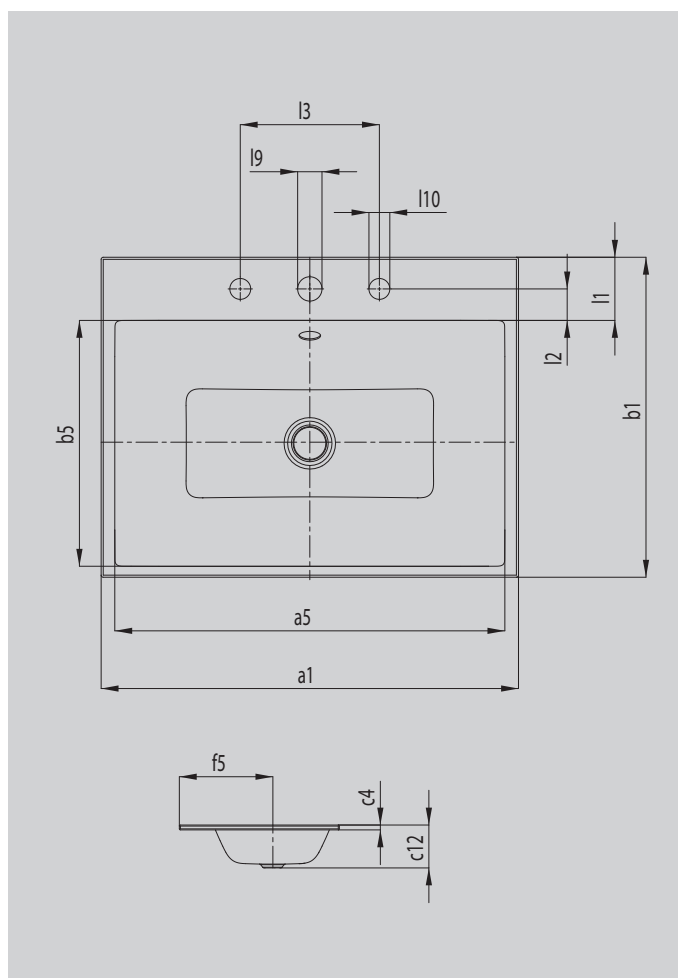


# PURO BUILT-IN WASHBASIN

- elegant rectangular washbasin in a classically minimalist design
- reduced precise edges
- very generous interior dimensions
- clean and timeless lines – immortalised in long-lasting KALDEWEI steel enamel
- harmonises perfectly with the PURO bath series
- designed by Anke Salomon



Similar illustration



Model		3151
External length	$a_1$	600 mm
Internal length	$a_5$	561 mm
External width	$b_1$	460 mm
Internal width	$b_5$	354 mm
Height of rim	$c_4$	14 mm
Distance basin surface to bottom edge of waste hole	$c_{12}$	125 mm
Distance rear edge to centre of waste hole	$f_5$	268 mm
Depth of tap deck	$l_1$	91 mm
Distance tap holes to edge	$l_2$	45 mm
Distance external tap holes (for 3 tap holes)	$l_3$	200 mm
Diameter of centre tap hole	$l_9$	Ø 35 mm
Diameter of outside tap hole (for 3 tap holes only)	$l_{10}$	Ø 30 mm
Net weight		7 kg