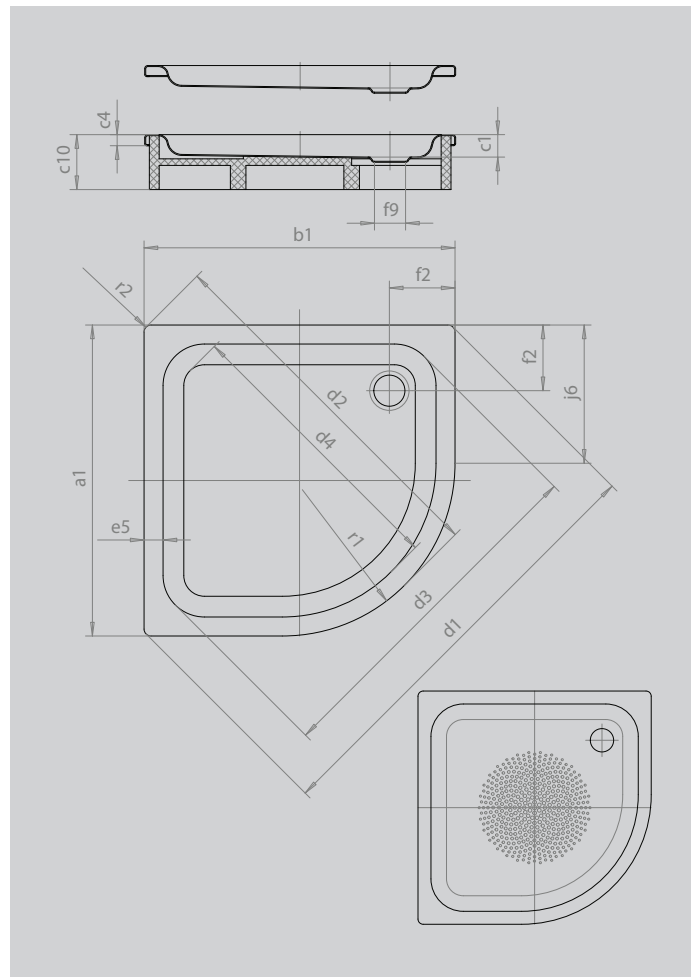


# ZIRKON

- clear design, large standing area
- side waste
- elegant, functional quadrant form allows it to be intelligently installed even in the smallest of spaces
- made of KALDEWEI steel enamel
- flush-fitting recessed waste cover (only in combination with the KA 90 waste fittings)



Similar illustration



|  |          |          |
|--|----------|----------|
| Model                                      |          | 510      |
| External length                            | $a_1$    | 1000 mm  |
| External width                             | $b_1$    | 1000 mm  |
| Depth inside                               | $c_1$    | 65 mm    |
| Height of rim                              | $c_4$    | 32 mm    |
| Height with low-profile support            | $c_{16}$ | 49 mm    |
| Width across corners - external length     | $d_1$    | 1397 mm  |
| Width across corners - external width      | $d_2$    | 1198 mm  |
| Width across corners - internal length     | $d_3$    | 1149 mm  |
| Width across corners - internal width      | $d_4$    | 1015 mm  |
| Width of rim                               | $e_5$    | 55 mm    |
| Distance bath edge to centre of waste hole | $f_2$    | 190 mm   |
| Diameter of waste hole                     | $f_9$    | Ø 90 mm  |
| Side length                                | $j_6$    | 500 mm   |
| External radius                            | $r_1$    | 500 mm   |
| External radius                            | $r_2$    | 20 mm    |
| Net weight                                 |          | 26 kg    |
| Diameter of anti-slip                      |          | Ø 588 mm |