

MEISTERSTÜCK

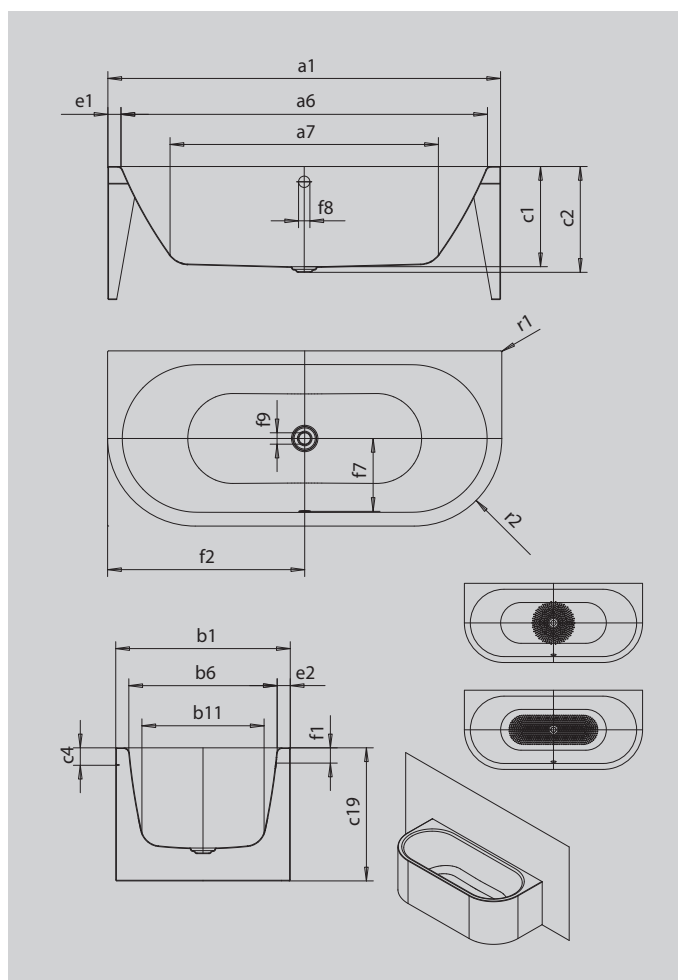
CENTRO DUO 2

FRONT WALL INSTALLATION (3-SIDED)

- bath made of high-quality steel enamel with enamelled panelling on three sides
- with exclusive easy-clean finish
- pure simplicity and unpretentious elegance are what distinguish these baths
- enamelled waste cover and overflow knob integrated in the bath design (also available with filling function)
- made of KALDEWEI steel enamel



Similar illustration



Model		1131
External length	a ₁	1700 mm
Internal length (top)	a ₆	1580 mm
Internal length (bottom)	a ₇	1130 mm
External width	b ₁	750 mm
Internal width (top)	b ₆	630 mm
Internal width (bottom)	b ₁₁	510 mm
Depth inside	c ₁	460 mm
Depth incl. waste hole	c ₂	485 mm
Height of rim	c ₄	80 mm
Height of bath	c ₁₉	610 mm
Width of rim (foot end; long side)	e ₁ , e ₂	60; 60 mm
Distance top edge to centre of overflow hole	f ₁	70 mm
Distance bath edge to centre of waste hole	f ₂	850 mm
Distance centre of waste hole to centre of overflow hole	f ₇	307 mm
Diameter of overflow hole	f ₈	Ø 52 mm
Diameter of waste hole	f ₉	Ø 52 mm
External radius	r ₁	5 mm
External radius	r ₂	375 mm
Water volume		156 l
Waste connection diameter		Ø 40/50
Fill fitting connection		1/2"
Net weight		103 kg
Diameter of anti-slip		Ø 435 mm
Full anti-slip		900 x 300 mm