

REINIGUNGSHINWEIS

Ablaufgarnitur KA 200 XETIS

- GB - Cleaning instructions waste fitting KA 200 XETIS
- F - Renseignements de nettoyage ensembles bonde spéciaux KA 200 XETIS
- I - Istruzioni di igienizzazione per colonna di scarico KA 200 XETIS
- E - Instrucciones de limpieza del sistema de desagüe KA 200 XETIS

GB CLEANING NOTES

To ensure satisfactory functioning of the drain the siphon trap of the shower surface should be regularly cleaned, depending on the frequency of use.

Functioning of the drain is only ensured if

- no water is dammed up in the drain line.
- no water flows back from the drain line into the siphon trap.
- the drain line is not clogged.
- the drain line does not have too little slope.

If the above mentioned items are not fulfilled, functioning of the siphon trap may be impaired. A considerable amount of water can accumulate on the shower surface possibly resulting in overflowing.

Normally no tools are required for cleaning of the siphon trap.



When using detergents/drain cleaners, the given instructions of the manufacturer and hazard notes shall be observed. By improper use, clogging may be caused or siphon trap components damaged.

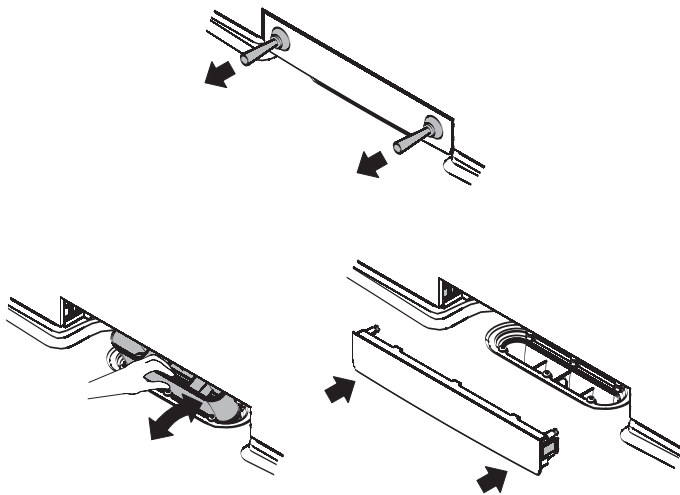


Only household waste water at temperatures up to 95°C may be discharged.



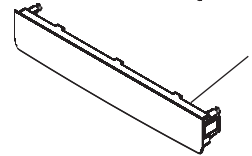
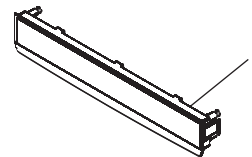
Noxious substances, such as detergents which may damage siphon components and the drain piping shall not be discharged, in particular substances with a pH value ≤ 4 .

GB CLEANING OF THE SIPHON TRAP



I = Design screen, tileable

II = Design screen, chrome-plated high-gloss



- Place on suction cup and remove design screen.
- Pull out siphon trap insert upward.
- Rinse siphon trap insert and siphon trap bottom in water.
- Put in siphon trap insert.
- Place on design screen.

Franz Kaldewei GmbH & Co. KG
Beckumer Strasse 33-35
59229 Ahlen
Germany
Tel. +49 2382 785 0
Fax +49 2382 785 200
www.kaldewei.com
Kaldewei XETIS Information Hotline: +49 2382 785 777